

# AHC2

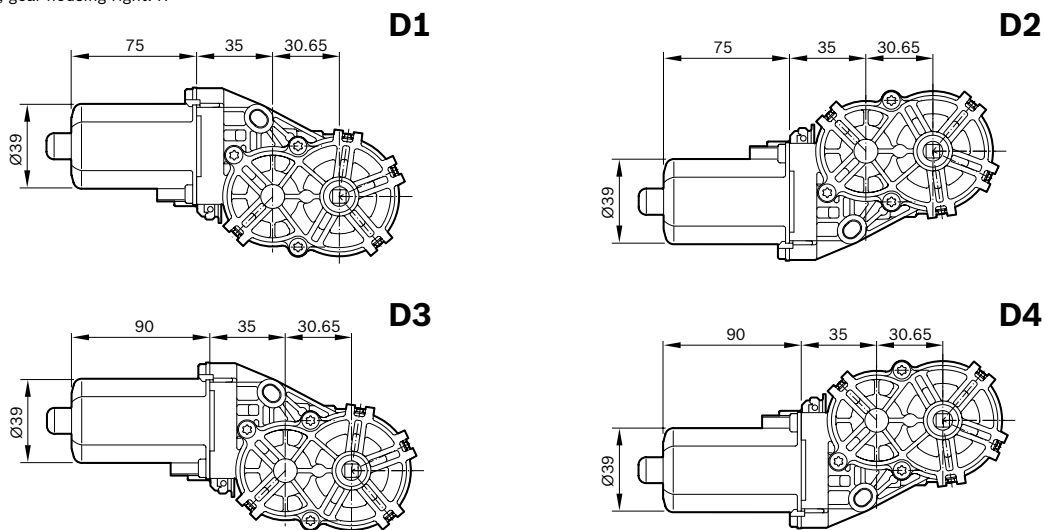


### Family features:

- ▶ With and without hall sensor
- ▶ Degree of protection: IP 50
- ▶ Operation mode: S2
- ▶ Direction of rotation: CCW/CW

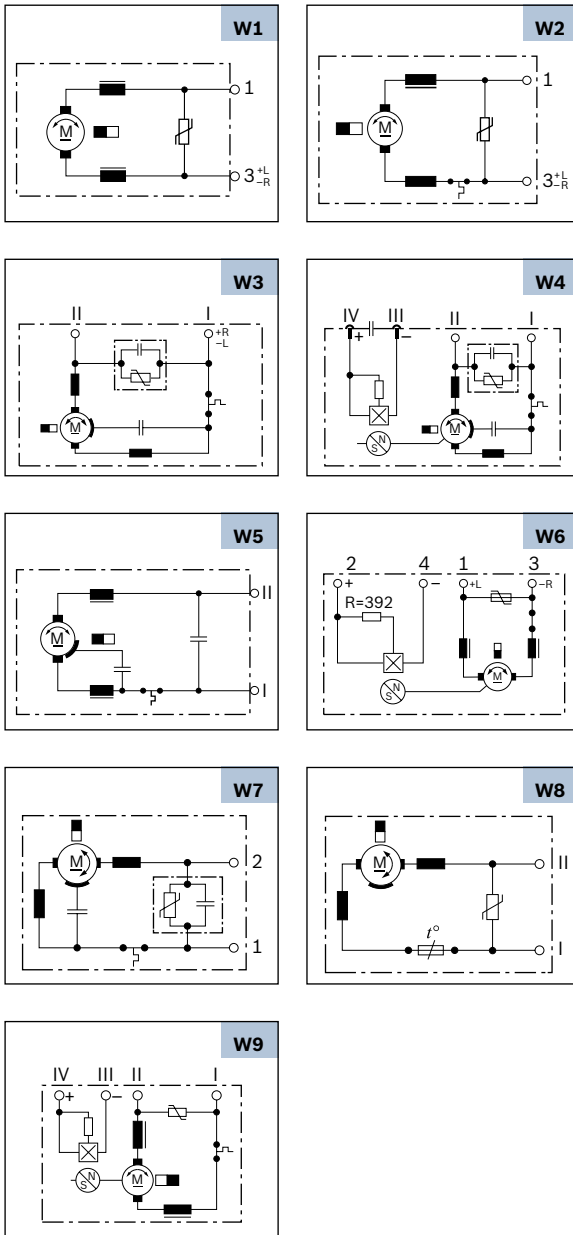
Voltage	Part number	P <sub>n</sub> (Nominal power)	I <sub>n</sub> (Nominal current)	n <sub>n</sub> (Nominal speed)	M <sub>n</sub> (Nominal torque)	M <sub>a</sub> (Stall torque)	Gear ratio	Direction of rotation	Signal	Side*	Dimensional drawing (D)	Wiring diagram (W)	Drive end (S)	Connector (C)	Performance curve (P)
		W	A	rpm	Nm	Nm			Hall						
12 V	0 390 203 228	3.9	2.8	37.3	1	10.35	182:2	CCW/CW	No	R	D1	W5	S1	C1	P4
	0 390 201 972	4.7	4	22.5	2	19	185.5:1	CCW/CW	Yes	R	D3	W6	S1	C2	P2
	0 390 201 973	4.7	4	22.5	2	19	185.5:1	CCW/CW	No	R	D3	W1	S1	C2	P2
	0 390 201 944	6	6	28.5	2	20	185.5:1	CCW/CW	No	R	D1	W7	S4	C1	P1
	0 390 201 999	4.7	4	22.5	2	19	185.5:1	CCW/CW	No	R	D3	W2	S1	C2	P2
	0 390 203 224	3.9	3.7	18.65	2	21.5	217:1	CCW/CW	No	R	D3	W3	S2	C1	P3
	0 390 203 225	3.9	3.7	18.65	2	21.5	217:1	CCW/CW	No	L	D4	W3	S2	C1	P3
	0 390 203 226	3.9	3.7	18.65	2	21.5	217:1	CCW/CW	Yes	R	D3	W4	S2	C3	P3
	0 390 203 227	3.9	3.7	18.65	2	21.5	217:1	CCW/CW	Yes	L	D4	W4	S2	C3	P3
	0 390 201 950	6.1	6	29	2	20.5	185.5:1	CCW/CW	No	R	D1	W3	S3	C1	P1
	0 390 203 266	3.5	4.2	22.25	1.5	23	185.5:1	CCW/CW	No	R	D1	W3	S1	C1	P5
	0 390 201 949	2.5	3.6	23.6	1	14.5	185.5:1	CCW/CW	No	R	D1	W3	S1	C1	P7
	0 390 203 306	3.9	3.7	18.65	2	23.9	217:1	CCW/CW	No	R	D3	W3	S5	C1	P8
	0 390 203 307	3.9	3.7	18.65	2	23.9	217:1	CCW/CW	No	L	D4	W3	S5	C1	P3
0 390 203 308	3.9	3.7	18.65	2	23.9	217:1	CCW/CW	Yes	R	D3	W4	S5	C3	P3	
0 390 203 309	3.9	3.7	18.65	2	23.9	217:1	CCW/CW	Yes	L	D4	W4	S5	C3	P3	
24 V	0 390 203 310	3.5	2	16.9	2	23.3	217:1	CCW/CW	No	R	D3	W8	S3	C1	P6
	0 390 203 311	3.5	2	16.9	2	23.3	217:1	CCW/CW	No	L	D4	W8	S3	C1	P6
	0 390 203 312	3.5	2	16.9	2	23.3	217:1	CCW/CW	Yes	R	D3	W9	S3	C3	P6
	0 390 203 313	3.5	2	16.9	2	23.3	217:1	CCW/CW	Yes	L	D4	W9	S3	C3	P6

\*Gear housing left: L, gear housing right: R

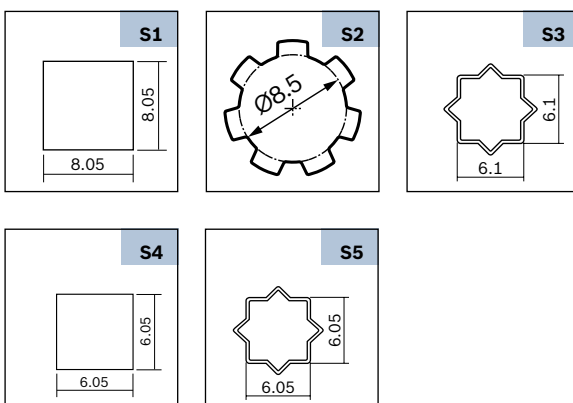


# AHC2

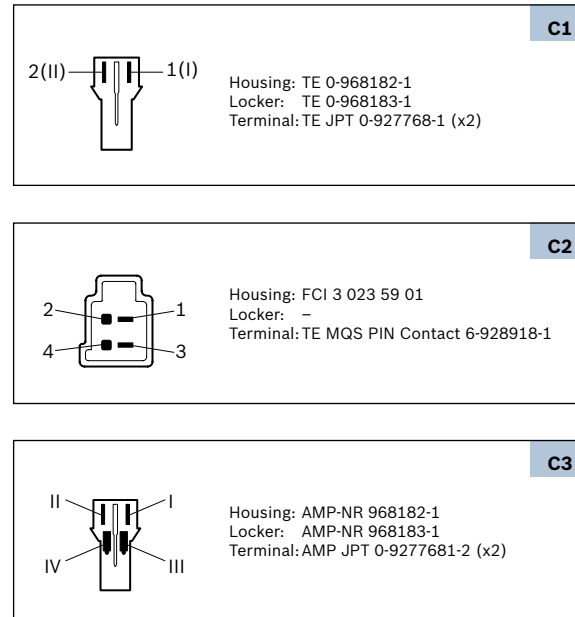
## Wiring diagram (W)



## Drive end (S)



## Mating connector (C)



Housing: TE 0-968182-1  
Locker: TE 0-968183-1  
Terminal: TE JPT 0-927768-1 (x2)

Housing: FCI 3 023 59 01  
Locker: -  
Terminal: TE MQS PIN Contact 6-928918-1

Housing: AMP-NR 968182-1  
Locker: AMP-NR 968183-1  
Terminal: AMP JPT 0-9277681-2 (x2)

## Performance curve (P)

